

APPLICATION:

JOB NAME:

QUANTITY: ITEM NO.

PRODUCT NAME:
PRE-RINSE SPRING 4" C/C DECK MOUNT WITH WALL BRACKET & ADD-ON FAUCET

SPECIAL CONFIGURATION
 CHECK BASE MODEL AND OPTIONS

MODEL:

34290 WITH 6" SWING SPOUT

34304 WITH 8" SWING SPOUT

34312 WITH 10" SWING SPOUT

34320 WITH 12" SWING SPOUT

34339 WITH 14" SWING SPOUT

34347 WITH 16" SWING SPOUT

OPTIONS OR MODIFICATIONS:

SUPPLY LINES (24" OR 36") CIRCLE LENGTH

ADD-ON FAUCET (6", 8", 10", 12", 14", 16") CIRCLE

IN-LINE DUAL CHECK VALVE

BRUSH

VANDAL RESISTANT KIT

HANDLES (CROSS OR WRIST) CIRCLE STYLE

OTHER _____

FEATURES:

MAIN CONTROL VALVE

- * 4" C/C DECK
- * INTERNAL SPRING LOADED CHECK VALVES
- * SWIVELLING SEAT DISKS
- * HOT SIDE STEM - RIGHT HAND CHECK
- * COLD SIDE STEM - LEFT HAND CHECK
- * STAINLESS STEEL SEATS, SEAT SCREWS AND HANDLE SCREWS

ADD-ON CONTROL VALVE

- * STEM - RIGHT HAND SWIVEL
- * HOT INDEX BUTTON
- * SWIVELLING SEAT DISKS
- * STAINLESS STEEL SEATS, SEAT SCREWS AND HANDLE SCREWS.

HOSE

- * 36" LENGTH
- * STAINLESS STEEL END FITTINGS
- * STAINLESS STEEL EXTERNAL JACKET
- * 3-PLY FIBER REINFORCED INTERNAL RUBBER HOSE
- * REPAIRABLE IN FIELD WITH SIMPLE TOOLS

ULTRA SPRAY VALVE

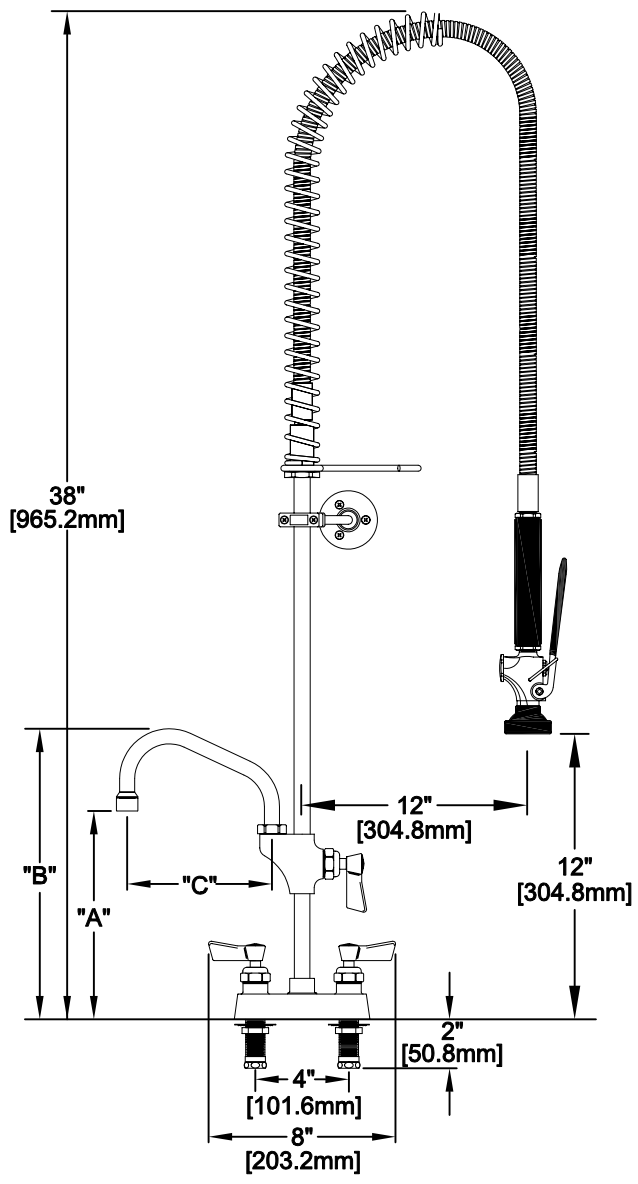
- * LOWEST ENERGY USER - 1.15 GPM @ 60 PSI
- * CLEANS FASTER - TEST PROVEN
- * ENGINEERED TO LAST - NO 'O' RINGS TO LEAK
- * INTERCHANGEABLE - FITS ALL BRANDS

WALL BRACKET

- * ADJUSTS FROM 2" TO 12"

SYSTEM LIMITS

- * TEMP: 40°F MIN. TO 140°F MAX. STATIC
- * PRESSURE 200 PSI MAX. STATIC
- * SHIPPING WEIGHT: 14.0 LBS



ROUGH-IN	MODEL	DIM "A"	DIM "B"	DIM "C"
	34290	8-3/4" [221.3mm]	12-3/8" [313.3mm]	6" [152.4mm]
	34304	9" [227.6mm]	12-7/8" [326.0mm]	8" [203.2mm]
	34312	9-5/8" [243.5mm]	13-3/8" [340.3mm]	10" [254.0mm]
	34320	10-1/4" [259.4mm]	13-7/8" [351.4mm]	12" [304.8mm]
	34339	10-5/8" [275.0mm]	14-3/4" [373.7mm]	14" [355.6mm]
	34347	11-1/2" [292.1mm]	15-3/8" [389.5mm]	16" [406.4mm]

